



MIRROR

PLANCHA
Drop in

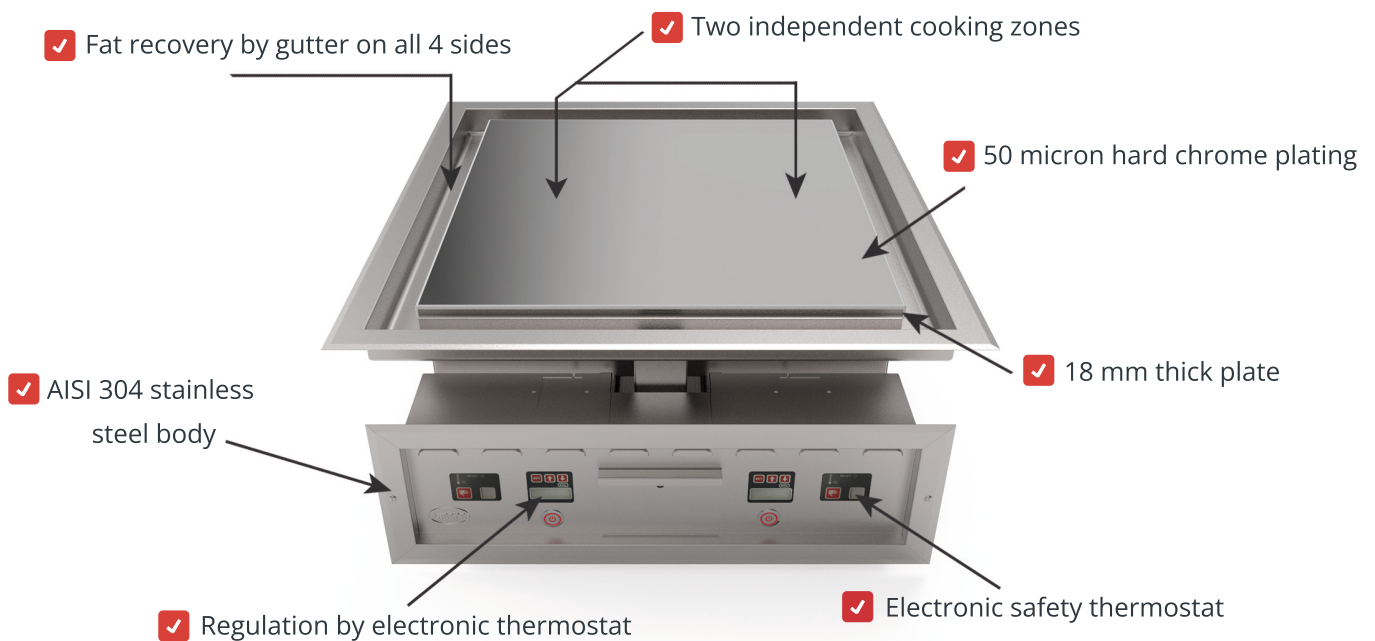


ERU 10 RC DI

FEATURES

Power: 10 kW

- ✓ Electronic control
- ✓ Optional grooved surface (1/1 - 1/2)
- ✓ Temperature control up to 285°C
- ✓ Easy cleaning and maintenance
- ✓ Designed and manufactured in the EU



www.mirror.es

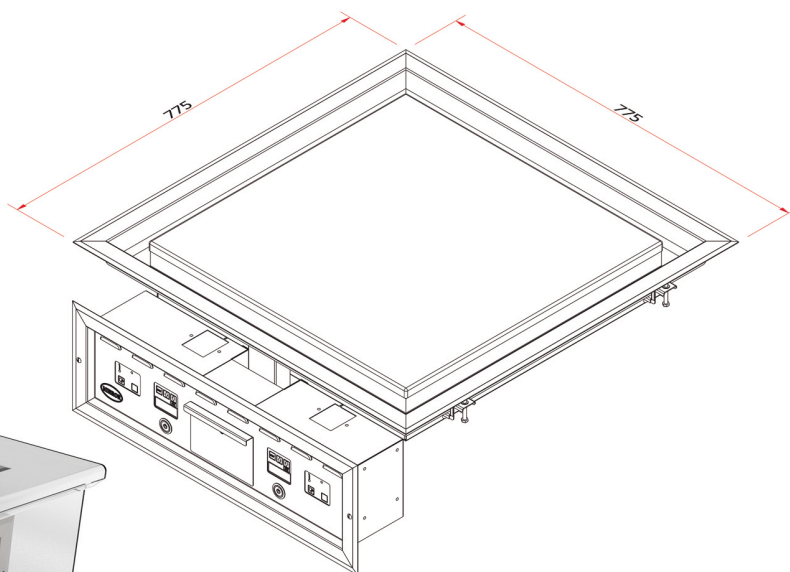
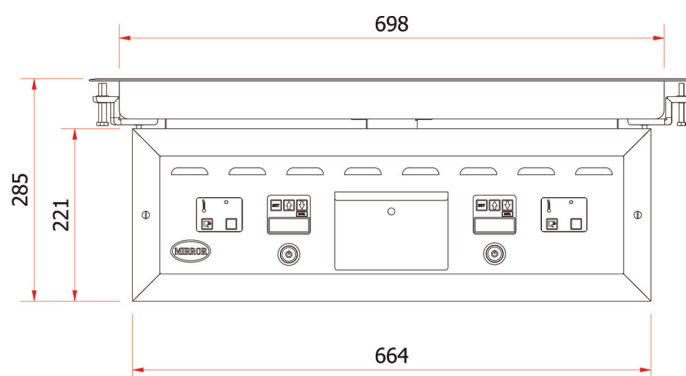
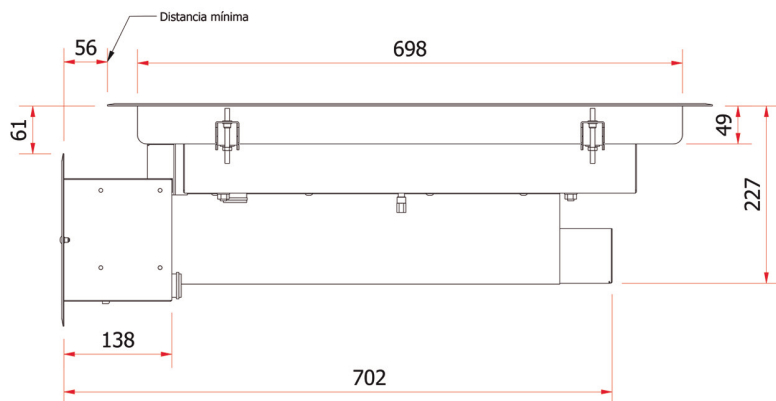
C/ Crom 57, Hospitalet de Llobregat 08907, Barcelona, España

Tel.: (+34) 336 87 30

Email: sales@mirror.es

Technical specifications

Voltage	380 / 415 V 3F+N
Freq.	50/60 Hz
Power	10 kW
Cooking area	600 x 600 mm
Max. Temperature	285 °C
Grease drawer	1 x 5 L



* Eru 10 RC DI

Optional extras

- Grooved surface (1/1 - 1/2).

External dimensions and weight

Width	775 mm
Depth	831 mm (Min.)
High	285 mm
Weight	71kg



www.mirror.es

C/ Crom 57, Hospitalet de Llobregat 08907, Barcelona, España

Tel.: (+34) 336 87 30

Email: sales@mirror.es